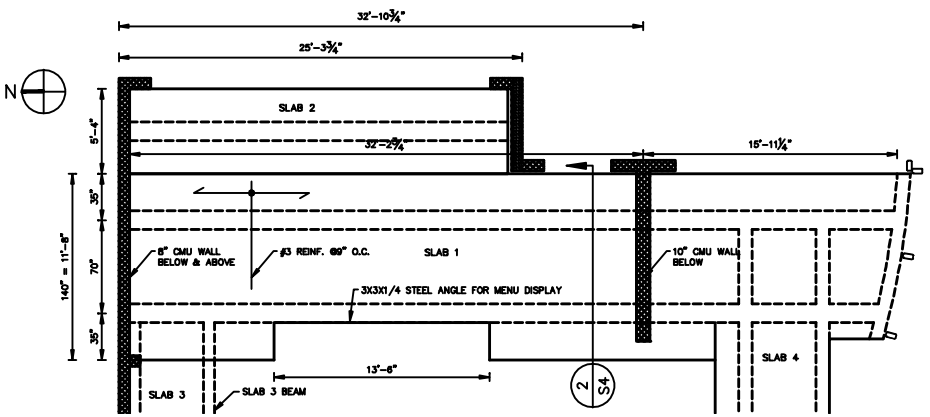


SLAB 2
SCALE: 3/4" = 1'-0"

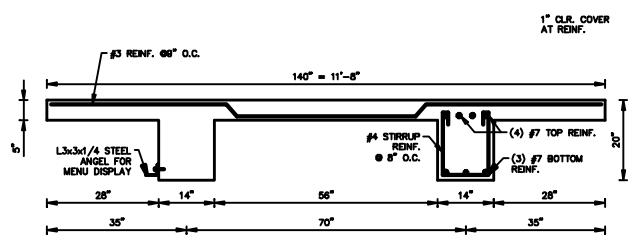
STAIR BEAM 3
SCALE: 3/4" = 1'-0"

4
S4



SLAB 1
SCALE: 1/4" = 1'-0"

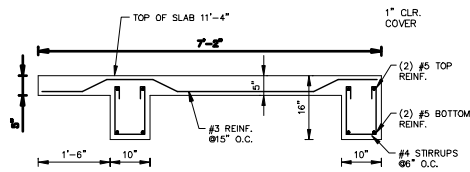
1
S4



SLAB 1
SCALE: 3/4" = 1'-0"

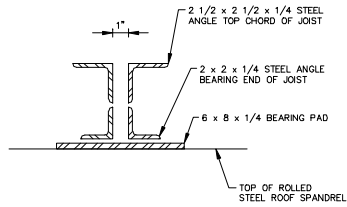
2
S4

OWNER:	
CLIENT:	
ARCHITECT:	
LOCATION & PROJECT:	
PREFILING NO.:	800GC-001
DATE:	04-10-08
DRAWN BY:	BC
CHECKED BY:	JEH
SCALE:	AS NOTED
DRAWING NO.:	S4



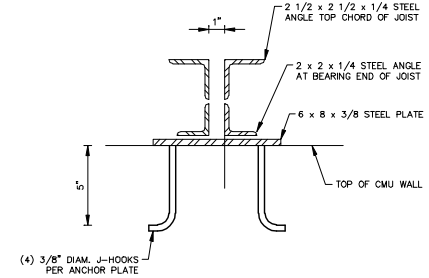
SECTION - SLAB 4
SCALE: 3/4" = 1'-0"

1
S5



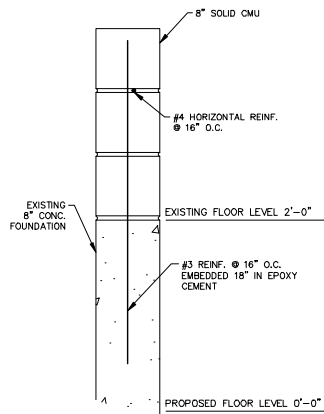
DETAIL - JOIST ANCHOR PLATE
SCALE: 3" = 1'-0"

5
S5



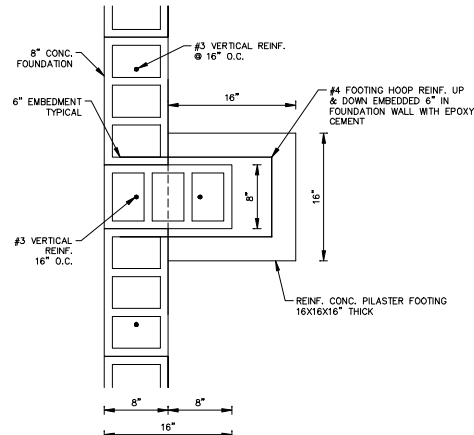
DETAIL - JOIST ANCHOR PLATE
SCALE: 3" = 1'-0"

6
S5



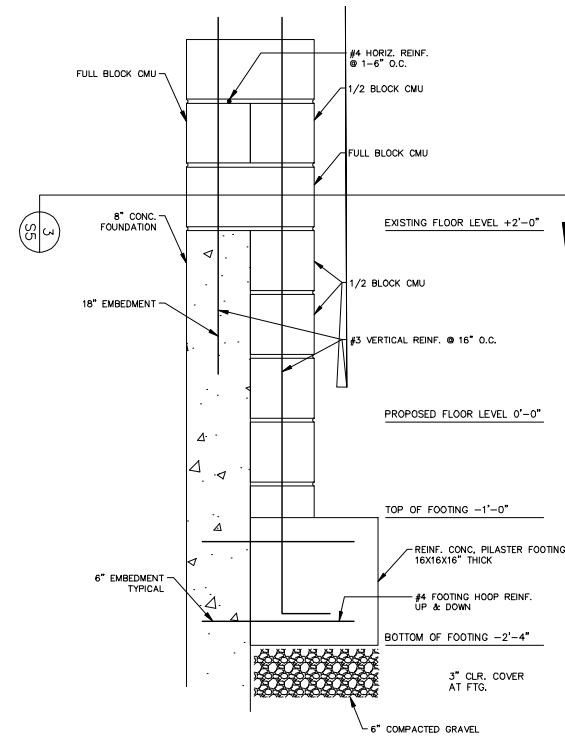
DETAIL
NORTH WALL

2
S5



PLAN DETAIL - NORTH WALL PILASTER FOOTING
SCALE: 1 1/2" = 1'-0"

3
S5



ELEVATION DETAIL - NORTH WALL PILASTER & PILASTER FOOTING
SCALE: 1 1/2" = 1'-0"

4
S5

NOT FOR CONSTRUCTION

OWNER:

CLIENT:

ARCHITECT:

FOUNDATION ENGINEER:

PROJECT NO: 00000-001

DATE:

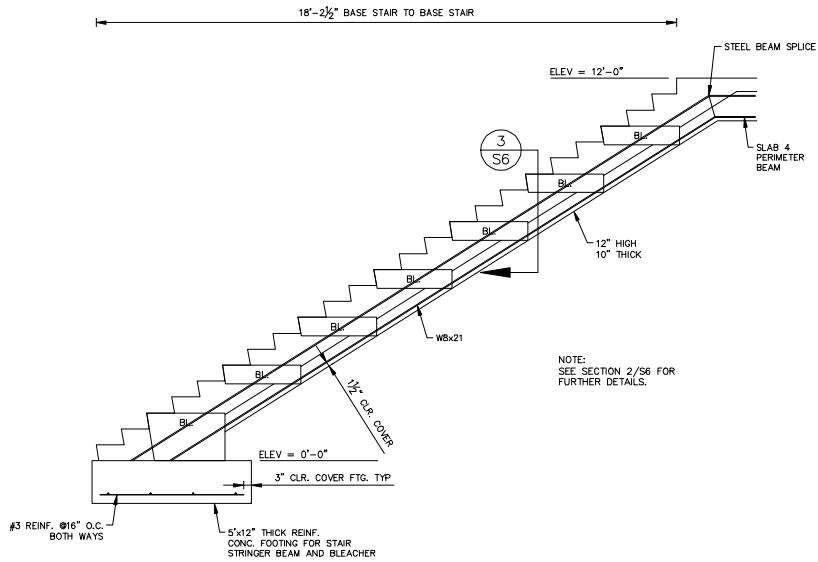
NO: 04-07-08

DESIGNED BY: BC

CHECKED BY: JED

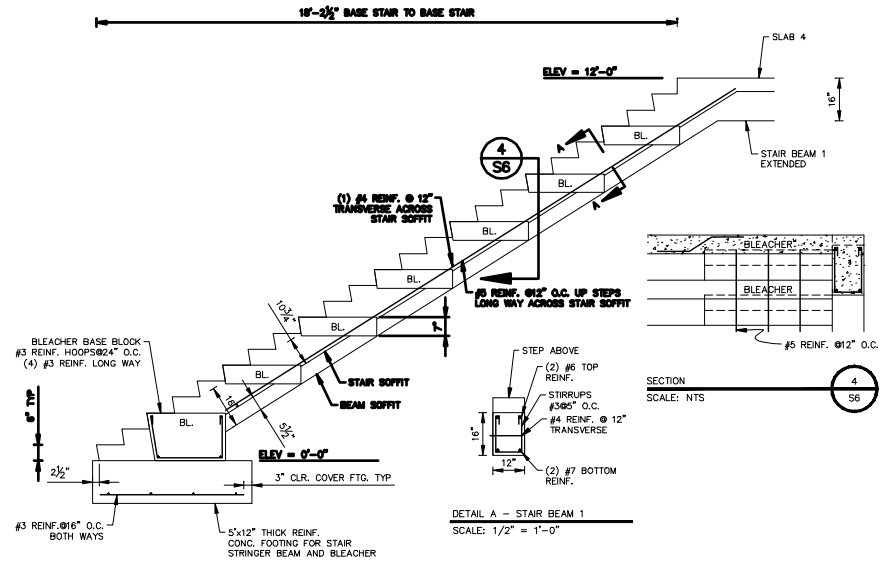
SCALE: AS NOTED

REVISIONS: 00



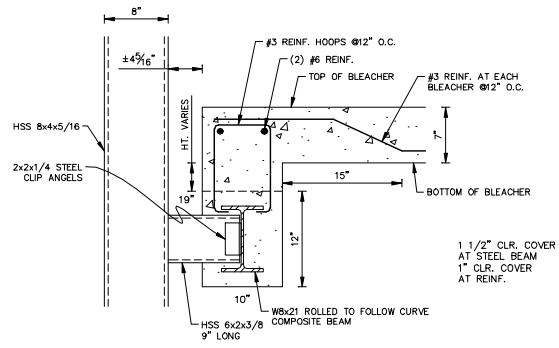
STAR BEAM 2 - AT WEST END OF BLEACHER
SCALE: 1/2" = 1'-0"

1
S6



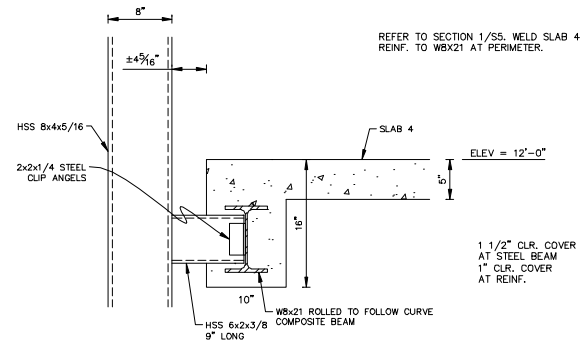
STAR BEAM 1
SCALE: 1/2" = 1'-0"

2
S6



STAR BEAM 2
SCALE: N.T.S.

3
S6



SLAB 4 PERIMETER BEAM
SCALE: N.T.S.

5
S6

NOT FOR CONSTRUCTION

OWNER:

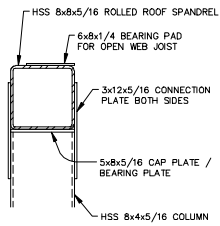
CLIENT:

ARCHITECT:

LOADING/PROVIDER:

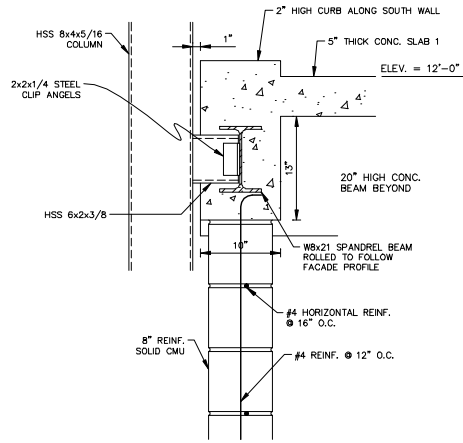
PERMITS: 00000-001

	DATE: 07-01-09
	DESIGNED BY: BC
	CHECKED BY: JEB
	SCALE: AS NOTED
	REVISIONS: 06



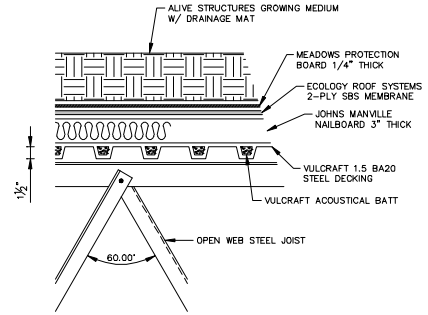
MAIN ROOF GIRDER CONNECTION
AT TOP OF COLUMN
SCALE: 1 1/2" = 1'-0"

3
S7



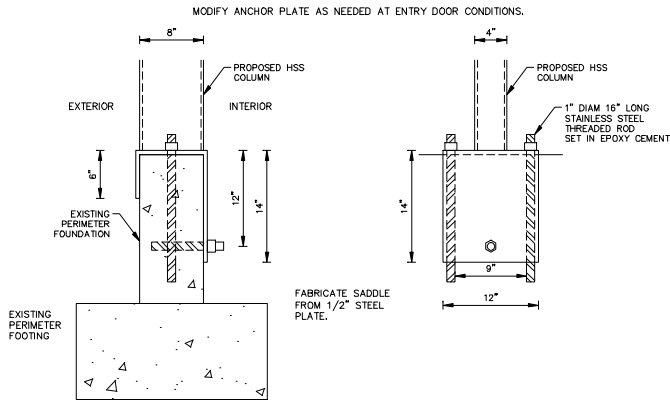
SLAB 1 CONNECTION TO COLUMN
SCALE: 1 1/2" = 1'-0"

2
S7



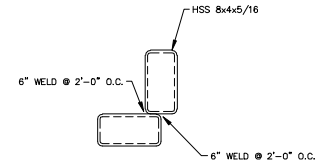
SECTION - ROOF DECK AT MAIN ROOF
SCALE: 1 1/2" = 1'-0"

1
S7



DETAIL - ANCHOR PLATE FOR HSS COLUMNS
SCALE: N.T.S.

5
S7



DETAIL - CORNER COLUMNS
SCALE: 1 1/2" = 1'-0"

4
S7

NOT FOR CONSTRUCTION

OWNER:

CLIENT:

ARCHITECT:

ENGINEER/ARCHITECT:

PROJECT NO: 00000-001

DATE:

NO: 07-00-00
REVISION: BC
CHECKED BY: JEB
SCALE: AS NOTED
REVISION: S7